

Fabry-Pérot Laser Diodes (FP): 760 nm - 840 nm

WAVELENGTH

760–840 nm

840–1100 nm

1100–1700 nm

1700–2400 nm

2400–2900 nm

2800–6500 nm

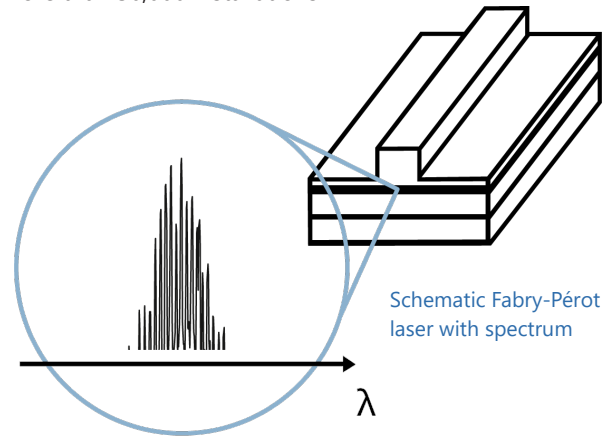
6000–14000 nm

High-Power OPT

nanoplus Fabry-Pérot Lasers (**FP**) are specially designed and characterized to fit your requirements. For 25 years, nanoplus has been manufacturing DFB and FP lasers with excellent performance. Our devices **operate** reliably in more than 50,000 installations worldwide.

Key features:

- BROADBAND
- HIGH-POWER
- SMALL FOOTPRINT



Any **custom wavelength** is possible: You tell us what you need!

With our outstanding technology we design any wavelength **between 760 nm and 14000 nm** with an accuracy of +/- 20 nm.

The **output power** of **several mW** yields a strong signal and gives large flexibility to your application. **High power up to 1 W** is available on request **between 1950 nm and 2350 nm**.

We offer **various packaging options**, e. g. several free space housings including TEC and NTC, fiber coupling, **collimation** and **custom designs**. What are your requirements?

Long-term stability is one of the principal features customers value about our lasers! Even in **harsh environments** nanoplus devices perform excellently – low maintenance warranted.

“Do not change your ideas, let us deliver the laser that fits your application.”

If you require **custom specifications**, please contact us.

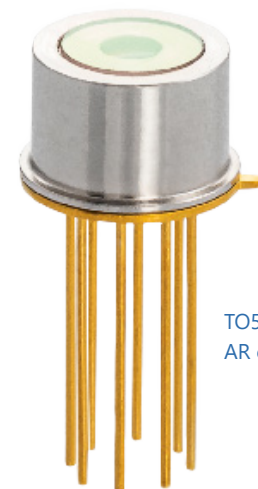
Nearly 80 % of our devices are more or less customer-specific.

As nanoplus is a **fully vertically integrated** company, we control the entire process chain from design to packaging.

Both nanoplus production facilities are based in **Germany**. To guarantee consistent product quality we apply a strict and **ISO certified quality management system** at all levels.

Our sales and R&D teams have long-standing experience in developing lasers. They will advise you in your design and realization phase as well as after-sales:

We make market leaders!



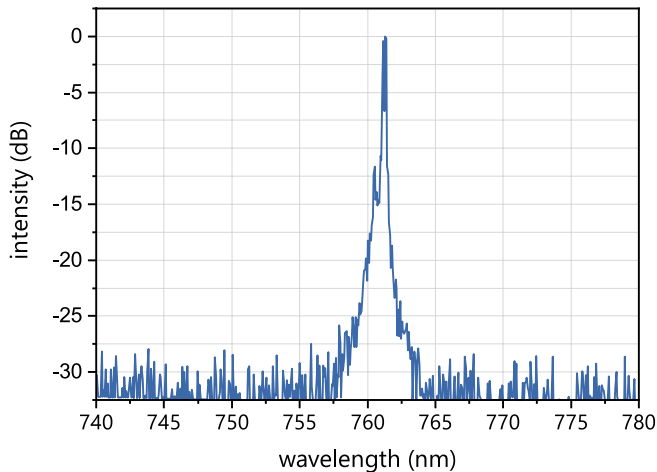
TO5 with cap and AR coated window



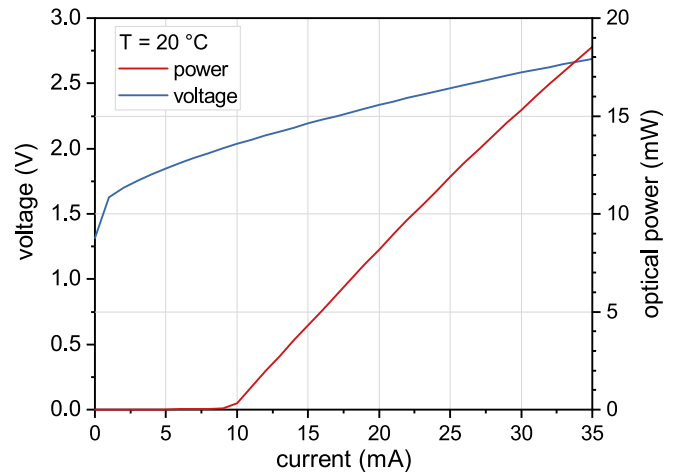
Typical Specifications: 760 nm - 840 nm

This data sheet reports performance data of a **sample Fabry-Pérot laser at 761 nm**, which is representative for the entire wavelength range.

If you need more power, please check our **High-Power Option**: nanoplus.com/FP/1950nm-2350nm



Typical room temperature cw spectrum
of a nanoplus FP laser at 761 nm



Typical PI and VI curve
of a nanoplus FP laser at 761 nm

electro-optical characteristics	symbol	unit	min.	typical	max.
operating wavelength (at T_{op} , I_{op})	λ_{op}	nm	-20	please specify	+20
optical output power (at λ_{op})	P_{op}	mW		10	
operating current	I_{op}	mA		30	
operating voltage	V_{op}	V		3	
threshold current	I_{th}	mA		50	
operating chip temperature	T_{op}	°C	+20	+25	+50
operating case temperature*	T_c	°C	-20	+25	+50
storage temperature*	T_s	°C	-40	+20	+80

* non condensing

packaging

TO5 with TEC and NTC, black cap, AR coated window

TO56 without TEC or NTC, sealed, window

c-mount or other submounts without TEC or NTC

butterfly package with TEC and NTC, SM fiber, FC/APC connector

chip on carrier without TEC, with NTC

Technical drawings & accessories are available at: nanoplus.com/packaging

Please contact sales@nanoplus.com for customized specifications, quotes and further questions.
Visit our website for technical notes, application samples or literature referrals.