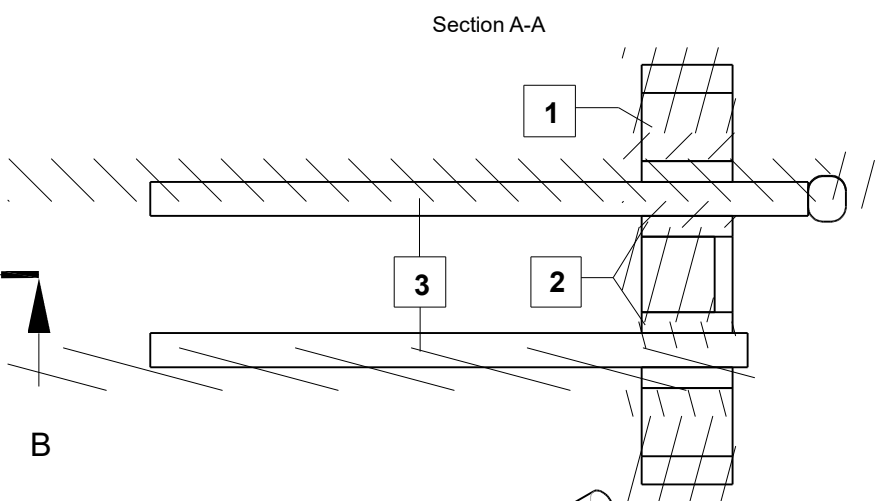
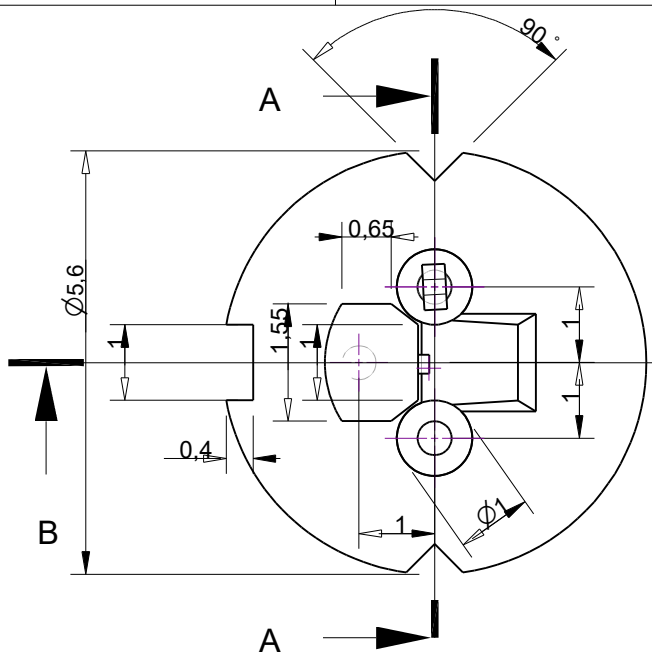


RevNo	Revision note	Date	Signature	Checked
-------	---------------	------	-----------	---------

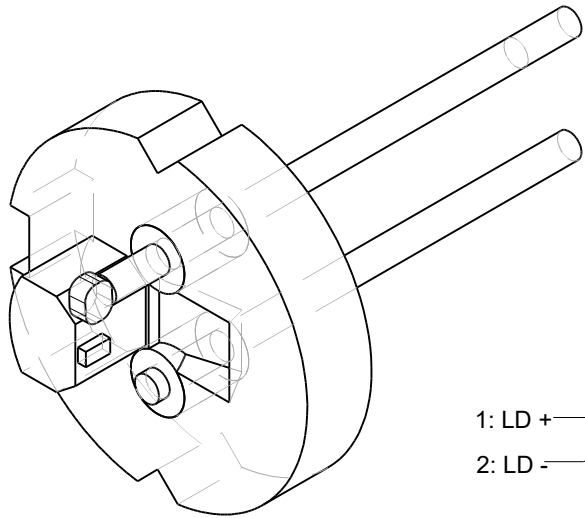
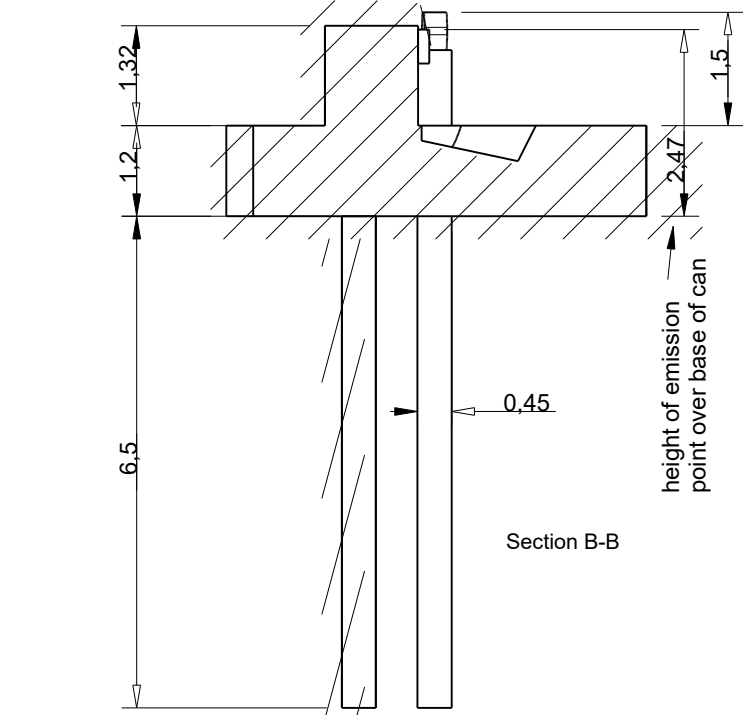
A
B
C
D

A
B
C
D

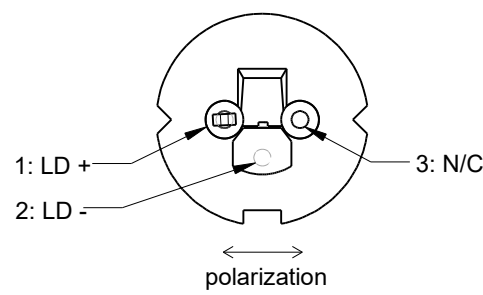


No.	Material	Qty.
1	SPC	1
2	ST - 4B/K	2
3	Fe - Ni	3

Note: The laser device is not designed for any reverse operation



Pin Assignment



Itemref	Quantity	TO5.6			Article No./Reference	
Drawn by M. Legge	Date 04.04.2012	Approved by - date	Material	File name	Scale 10:1	
Nanosystems and Technologies GmbH nanoplus		nanoplus Nanosystem and Technologies GmbH Oberer Kirschberg 4, 97218 Gerbrunn, Germany © copyright nanoplus GmbH 2012, all rights reserved. nanoplus GmbH reserves the right to modify these specifications at any time without notice and is not liable for errors.			Drawing No. 1	Edition
					All dimensions are in mm	Sheet 1