

1

2

3

4

5

6

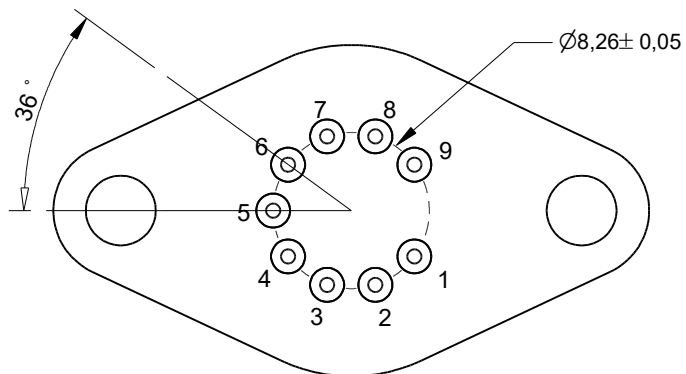
RevNo Revision note

Date

Signature

Checked

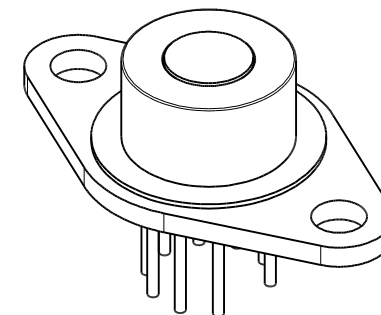
A

**Pin Assignment:**

- |                       |            |
|-----------------------|------------|
| 1: TEC (+)            | 6: n/c     |
| 2: NTC                | 7: LD (+)  |
| 3: NTC                | 8: LD (-)  |
| 4: n/c (optional: PD) | 9: TEC (-) |
| 5: n/c (optional: PD) |            |

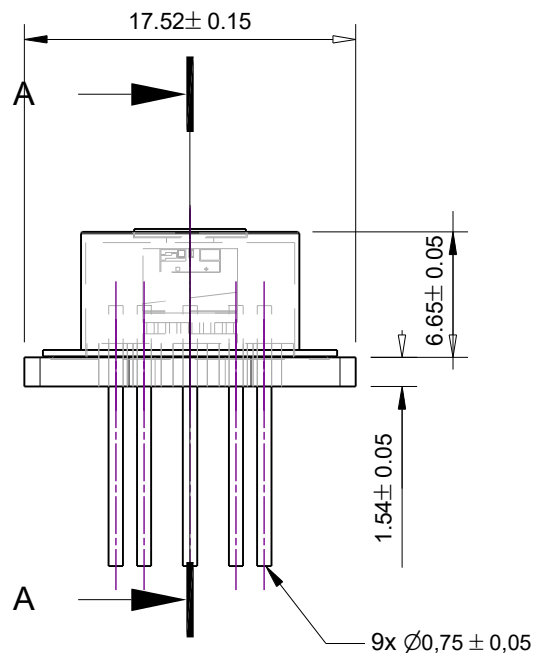
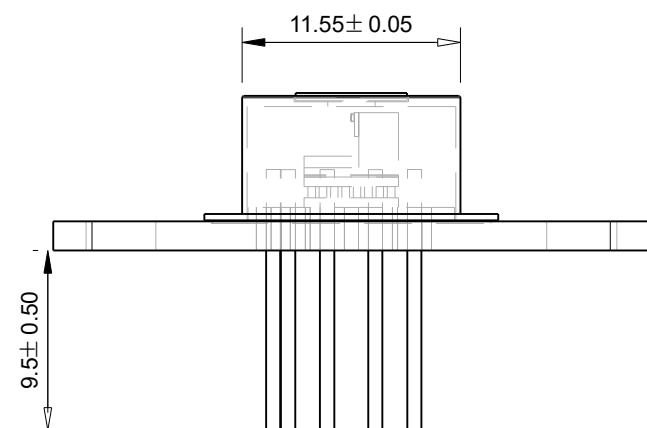
**Emission point:**

- centered on header  
tolerances:  
x:  $\pm 0,3$   
y:  $\pm 0,3$

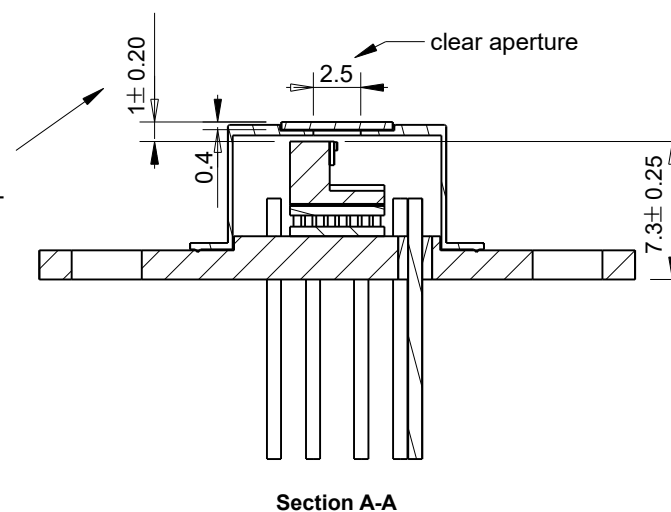


A

B

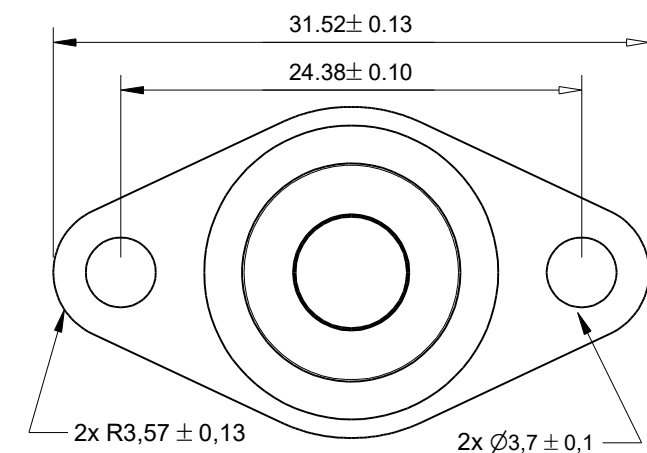


emission point to window surface



B

C



C

D

**Note: Package is sealed under dry air (~10 % O<sub>2</sub>) OR dry nitrogen atmosphere.**  
**Note: The laser device is not designed for any reverse operation**

Itemref	Quantity	TO66 w cap			Article No./Reference	
Drawn by W.Z.	Date 2013-05-24	Approved by - date	Material	File name	Scale	
Nanosystems and Technologies GmbH		nanoplus Nanosystem and Technologies GmbH Oberer Kirschberg 4, 97218 Gerbrunn, Germany © copyright nanoplus GmbH 2012, all rights reserved. nanoplus GmbH reserves the right to modify these specifications at any time without notice and is not liable for errors.			Drawing No.	Edition
nanoplus					All dimensions are in mm	Sheet

D

1

2

3

6