

## compact collimation module

### - accurate collimated laser diode device

In the majority of spectroscopy applications, most laser diodes require the use of collimation.

Nanoplus' compact collimation modules combine laser beam collimation with TEC + thermistor for temperature control and sealed setup of the laser diode as well as a precise mounting.

The comparatively large submount allows the precise positioning of the emission spot, even over a large distance.

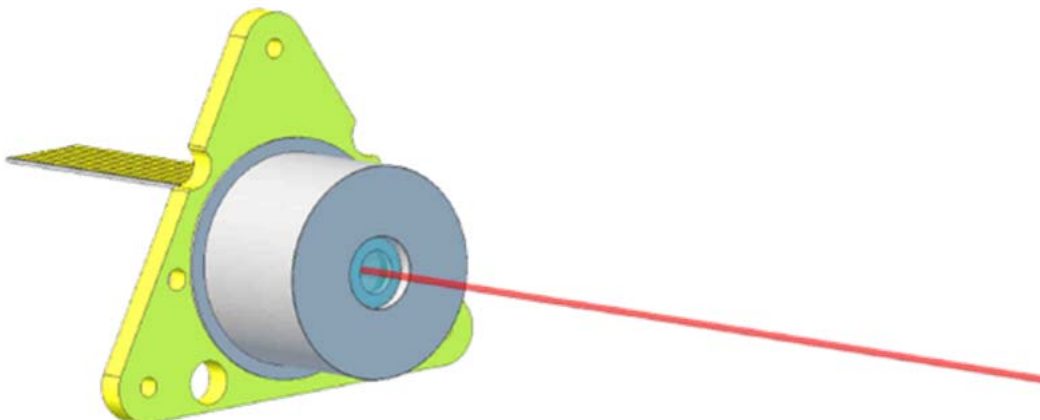
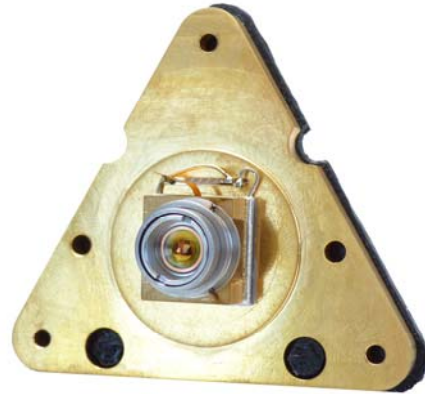
Simply pick and place or even replace without further alignment.

#### key features

- ✓ collimated beam
- ✓ TEC + thermistor
- ✓ hermetically sealed
- ✓ beam direction is specified
- ✓ identical reference and heat sink plane
- ✓ available for all nanoplus wavelengths

#### application areas

- ✓ high sensitivity gas sensing for process and environmental control
- ✓ pick and place laser measurement systems
- ✓ spectroscopy



device protected by  
US patent 6.671.306  
US patent 6.846.689  
EU patent EP0984535

nanoplus  
Nanosystems and Technologies GmbH  
Oberer Kirschberg 4  
D-97218 Gerbrunn

phone: +49 (0) 931 90827-0  
fax: +49 (0) 931 90827-19  
email: sales@nanoplus.com  
internet: www.nanoplus.com

For dimensions and accessories, please see overleaf or go to [www.nanoplus.com](http://www.nanoplus.com)

© copyright nanoplus GmbH 2017, all rights reserved.  
nanoplus GmbH reserves the right to modify these specifications  
at any time without notice and is not liable for errors.



# nanoplus compact collimation module

beam features at 1 m distance	
beam shape vertical	1.0 mm +/- 400 µm
beam shape horizontal	0.8 mm +/- 400 µm
position accuracy	+/- 1mm in 1 m distance

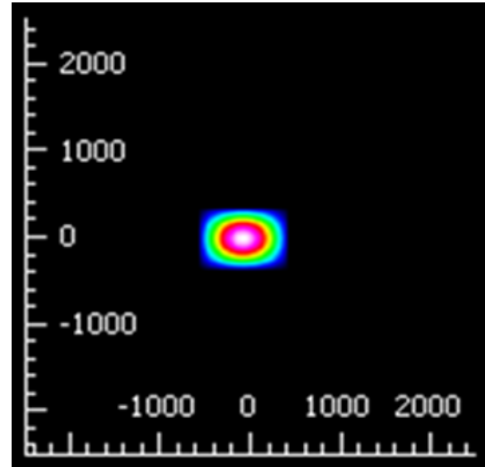


Fig 1. Beam focused @ 1 m

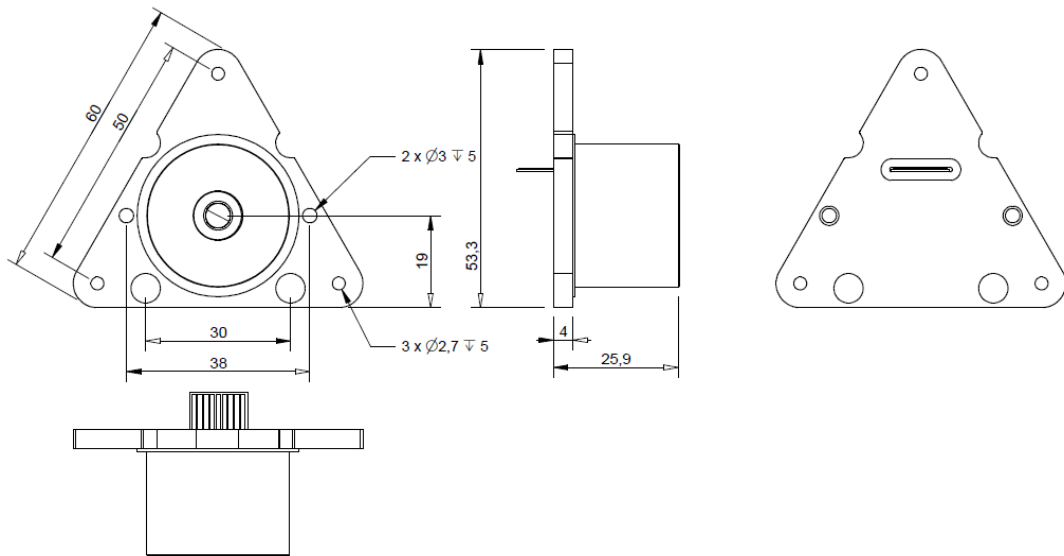


Fig 2. Technical drawing of nanoplus compact collimation module. All dimensions are in mm.

available accessories
heat sink mount
connectors for laser diode drivers and temperature controller
pin out similar to nanoplus cubic mounts
M6 threaded for optic ports
easy use with standard cage systems

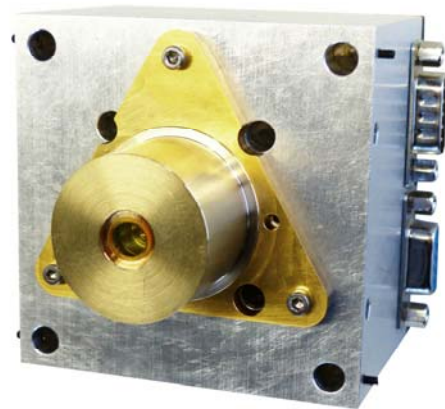


Fig 3. compact collimation module with heat sink



We will be happy to answer further questions. Please contact us at [sales@nanoplus.com](mailto:sales@nanoplus.com)

