

ESD precautions
thermal management
DFB laser concept
Tunable Diode Laser Spectroscopy (TDLAS)
n+ packages

Packaging Options

nanoplus packaging options

nanoplus provides a wide variety of different packaging options from standard TO 5.6 mm headers to TO 5 headers and Butterfly packages with integrated TEC and thermistor and c-mounts.

Customer-specific packaging is also available upon request.

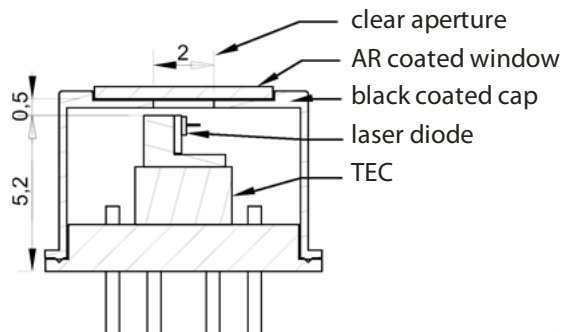
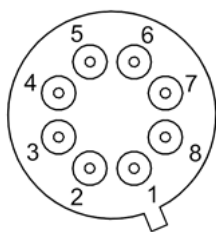
nanoplus also offers accessories such as laser sockets and heat sinks.



TO 5 with TEC and NTC



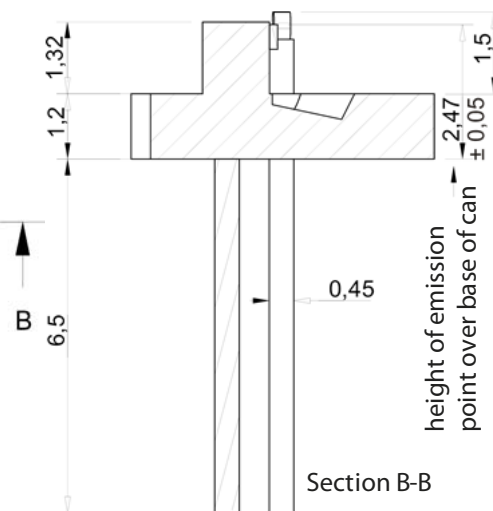
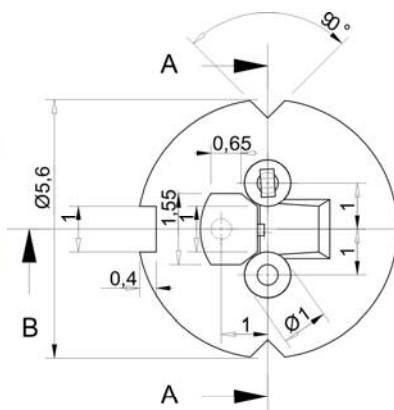
bottom view



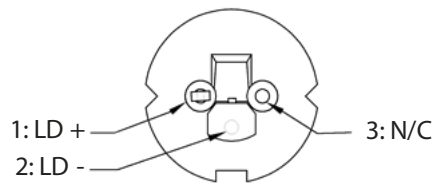
Pin Assignment

- 1: laser anode (+)
- 2: laser cathode (-)
- 3: TEC cathode (-)
- 4: TEC anode (+)
- 5: thermistor
- 6: thermistor
- 7: optional: thermistor/PD
- 8: optional: thermistor/PD

TO 5.6 mm



Pin Assignment



device protected by
US patent 6.671.306
US patent 6.846.689
EU patent EP0984535

nanoplus
Nanosystems and Technologies GmbH
Oberer Kirschberg 4
D-97218 Gerbrunn

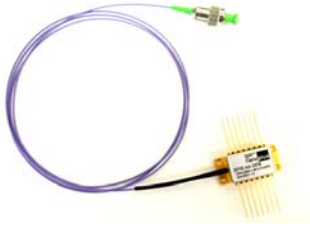
phone: +49 (0) 931 90827-0
fax: +49 (0) 931 90827-19
email: sales@nanoplus.com
internet: www.nanoplus.com

© copyright nanoplus GmbH 2012, all rights reserved.
nanoplus GmbH reserves the right to modify these specifications at any time without notice and is not liable for errors.



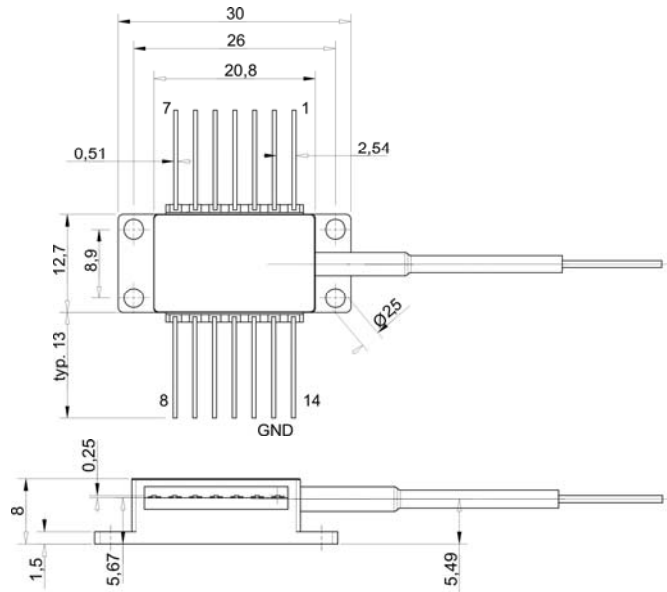
All dimensions are in mm.

14-pin Butterfly Package with SM-fiber

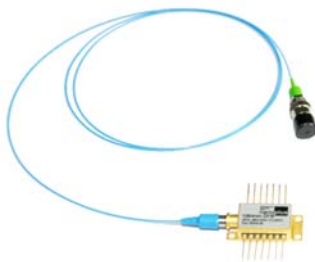


Pin Assignment

- | | |
|------------------|---------------------|
| 1: TEC anode (+) | 14: TEC cathode (-) |
| 2: thermistor | 13: case |
| 3: N/C | 12: N/C |
| 4: N/C | 11: N/C |
| 5: thermistor | 10: LD anode (+) |
| 6: N/C | 9: LD cathode (-) |
| 7: N/C | 8: N/C |

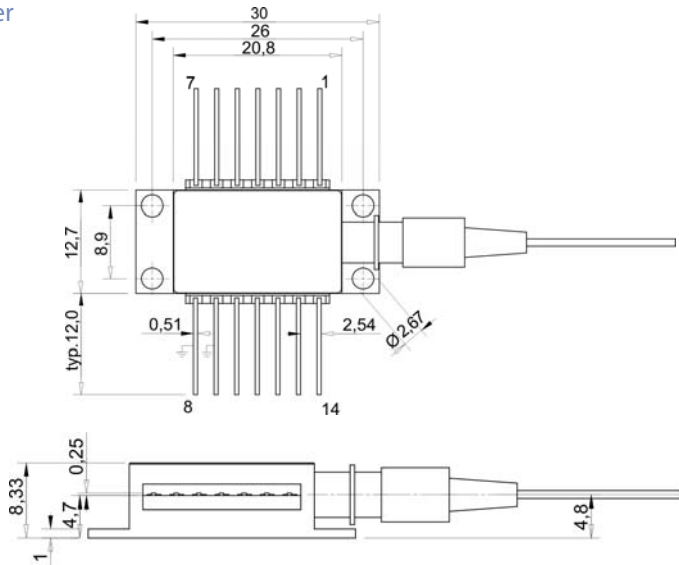


14-pin Butterfly Package with PM-fiber



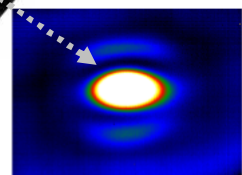
Pin Assignment

- | | |
|--------------------|--------------------|
| 1: thermistor | 14: N/C |
| 2: thermistor | 13: N/C |
| 3: N/C | 12: LD cathode (-) |
| 4: N/C | 11: LD anode (+) |
| 5: N/C | 10: N/C |
| 6: TEC anode (+) | 9: case ground |
| 7: TEC cathode (-) | 8: case ground |



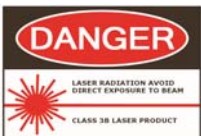
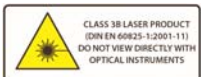
c-mount

Accessories



sockets

cube + collimator



All dimensions are in mm.

We will be happy to answer further questions. Please contact us at sales@nanoplus.com

