

Note: Package is sealed under dry air (~10 % O2) OR dry nitrogen atmosphere
 Note: The cap is no heatsink and not suited to be used as contact with a heatsink. Only use the bottom of the base plate for this purpose.
 Note: The housing must not be used as base for any fixtures (e.g. collimation units)
 Note: The laser device is not designed for any reverse operation

Pin Assignment:

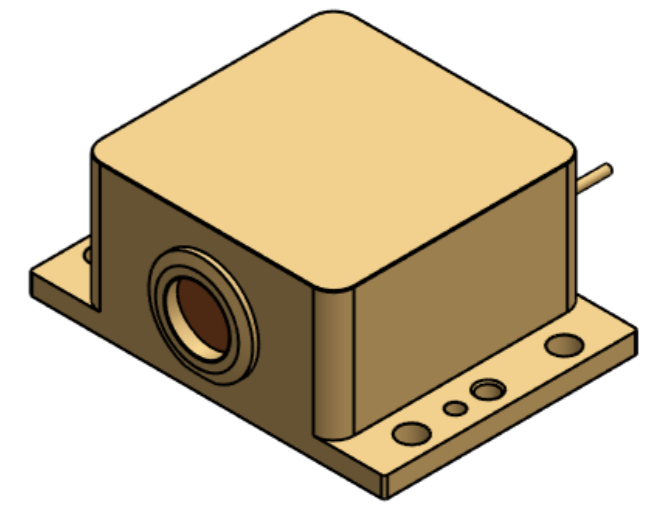
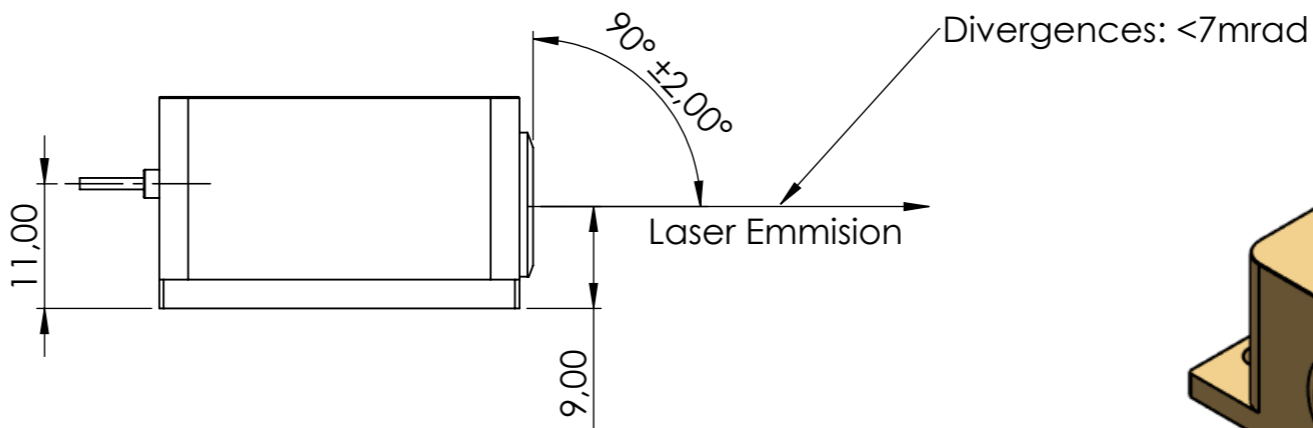
- 1: TEC (-)
- 2: not mounted
- 3: LD (-)
- 4: LD (-)
- 5: LD (-)
- 6: NTC
- 7: NTC
- 8: LD (+)
- 9: LD (+)
- 10: TEC (+)

Emission point:

centered on window
 x: ±0.3
 y: ±0.3

Window Material:

ZnSe



Material: Base: W80Cu20 / Frame: FENI ALLOY		nanoplus Nanosystems and Technologies GmbH Oberer Kirschberg 4, 97218 Gerbrunn, Germany © copyright nanoplus GmbH 2021, all rights reserved nanoplus GmbH reserves the right to modify specifications at any time without notice and is not liable for errors.		Description:	
Finish: Nickel / Gold Plating		Unless Otherwise Stated: ISO 2768 fK Surface Finish: All Dimensions: mm		Drawing Scale: 1.5:1	
Approx Weight: 115g		Drawing Produced In Accordance With: BS8888		Legal Owner:	
Projection Method: THIRD ANGLE		Sheet Size: A3		Part Name: HHL-Housing V1.0	
OK		Checked/Approved by: WZ		Drawn Date: 24.08.2023	
M3X0,5 - 6H		Drawing Number:		Checked/Approved Date: 26.10.2023	
Sheet: Revision:		Sheet: Revision:		Sheet: Revision:	