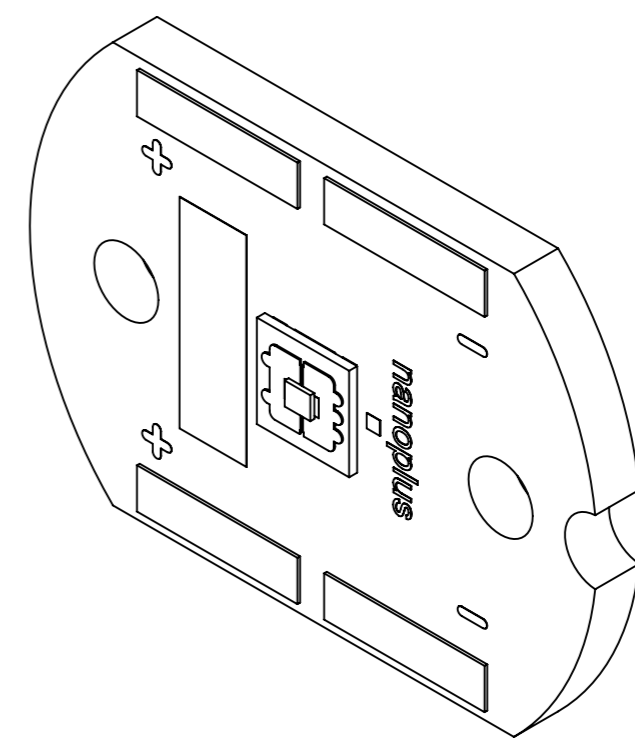
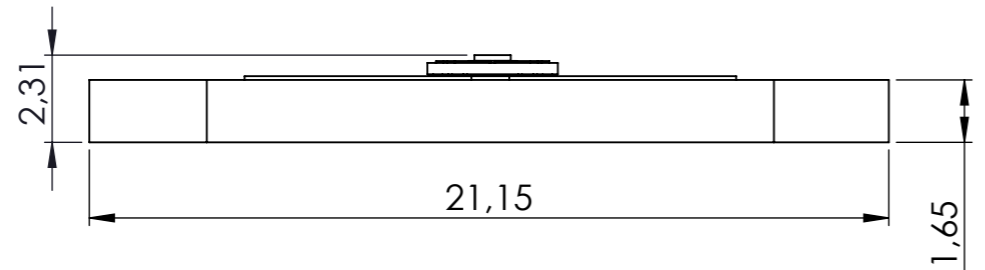

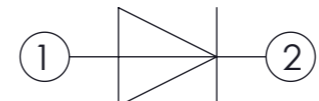



emission area



 Sn, HAL lead free, soldering area

XXXXXX optional: S/N



Material:		nanoplus Nanosystems and Technologies GmbH Oberer Kirschberg 4, 97218 Gerbrunn, Germany © copyright nanoplus GmbH 2021, all rights reserved nanoplus GmbH reserves the right to modify specifications at any time without notice and is not liable for errors.		Description:	
Finish:		Unless Otherwise Stated: ±0,2 Surface Finish: All Dimensions: mm		Drawing Scale: 5:1	
Approx Weight:		Drawing Produced In Accordance With: BS8888		Legal Owner: Nanosystems and Technologies GmbH	
Projection Method: THIRD ANGLE		Sheet Size: A3			
Part Name: Chip on ceramics carrier with PCB		Drawing Number: 000475		Sheet: 1	
Drawn by: PV		Drawn Date: 02.12.2020		Checked/Approved by: OK	
Checked/Approved Date: 08.03.2021		Revision:			