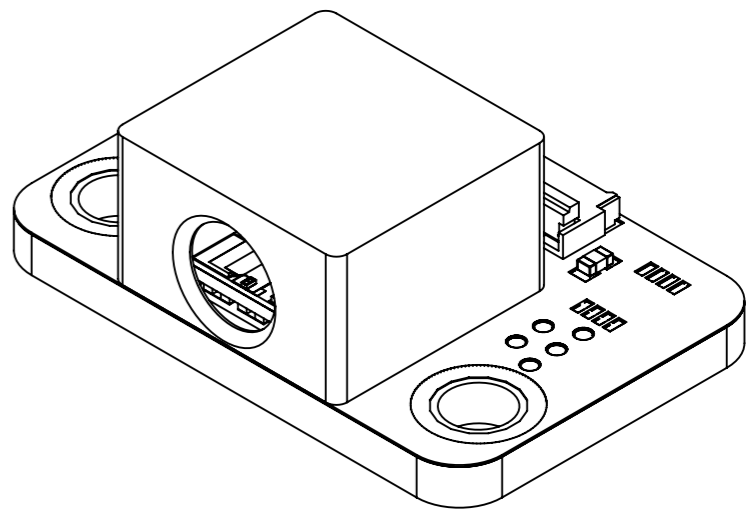


Connector Type: GCT FFC2B28-14-G

Pin Assignment X1:

Pin	Function
1	Vcc (Storage Chip)
2	SCL (Storage Chip)
3	SDA (Storage Chip)
4	Vss (Storage Chip)
5	TEC (-)
6	TEC (-)
7	TEC (-)
8	TEC (+)
9	TEC (+)
10	TEC (+)
11	NTC (-)
12	NTC (+)
13	LD (-)
14	LD (+)



Note: Package is sealed
 Note: The cap is no heatsink and not suited to be used as contact with a heatsink. Only use the bottom of the base plate for this purpose.
 Note: The cap must not be used as base for any fixtures (e.g. collimation units)
 Note: The laser device is not designed for any reverse operation

Material:		nanoplus America, Inc., Boulder, Colorado, USA		Description:	
Finish:		Copyright nanoplus America, Inc. 2024, all rights reserved nanoplus America, Inc. reserves the right to modify specifications at any time without notice and is not liable for errors.		Drawn by: OK	
Unless Otherwise Stated: ISO 2768 fK Surface Finish: All Dimensions: mm		Drawing Scale: 5:1		Drawn Date: 09.02.2024	
Approx Weight: 3,0g		Drawing Produced In Accordance With: BS8888		Checked/Approved by: OK	
Projection Method: THIRD ANGLE		Sheet Size: A3		Checked/Approved Date: 12.03.2026	
Legal Owner:				Part Name: High-Volume-Package	
				Drawing Number:	